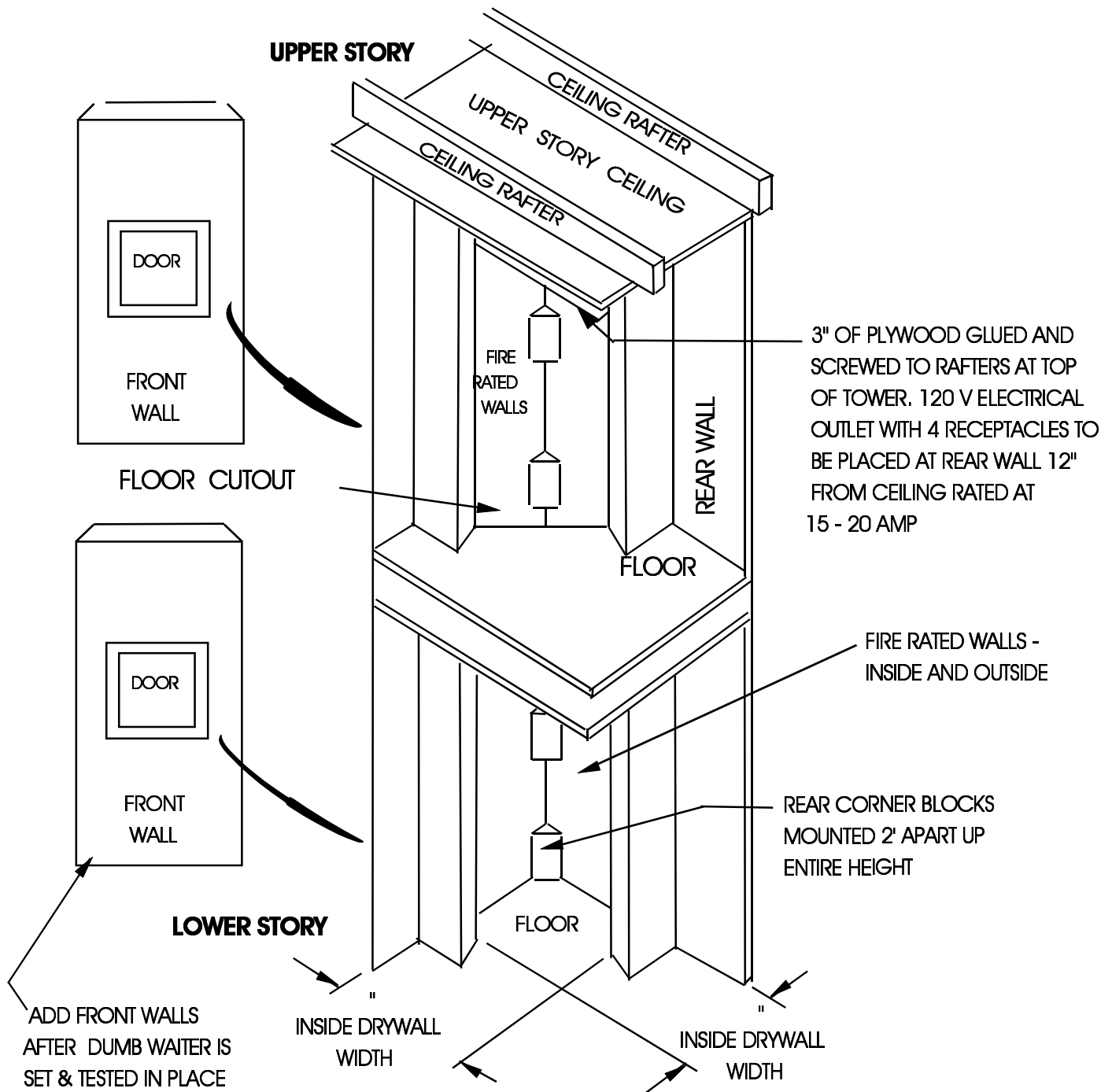


SITE PREPARATION FOR 24 X 24 CORNER LIFT W/ 3 CORNER GUIDES

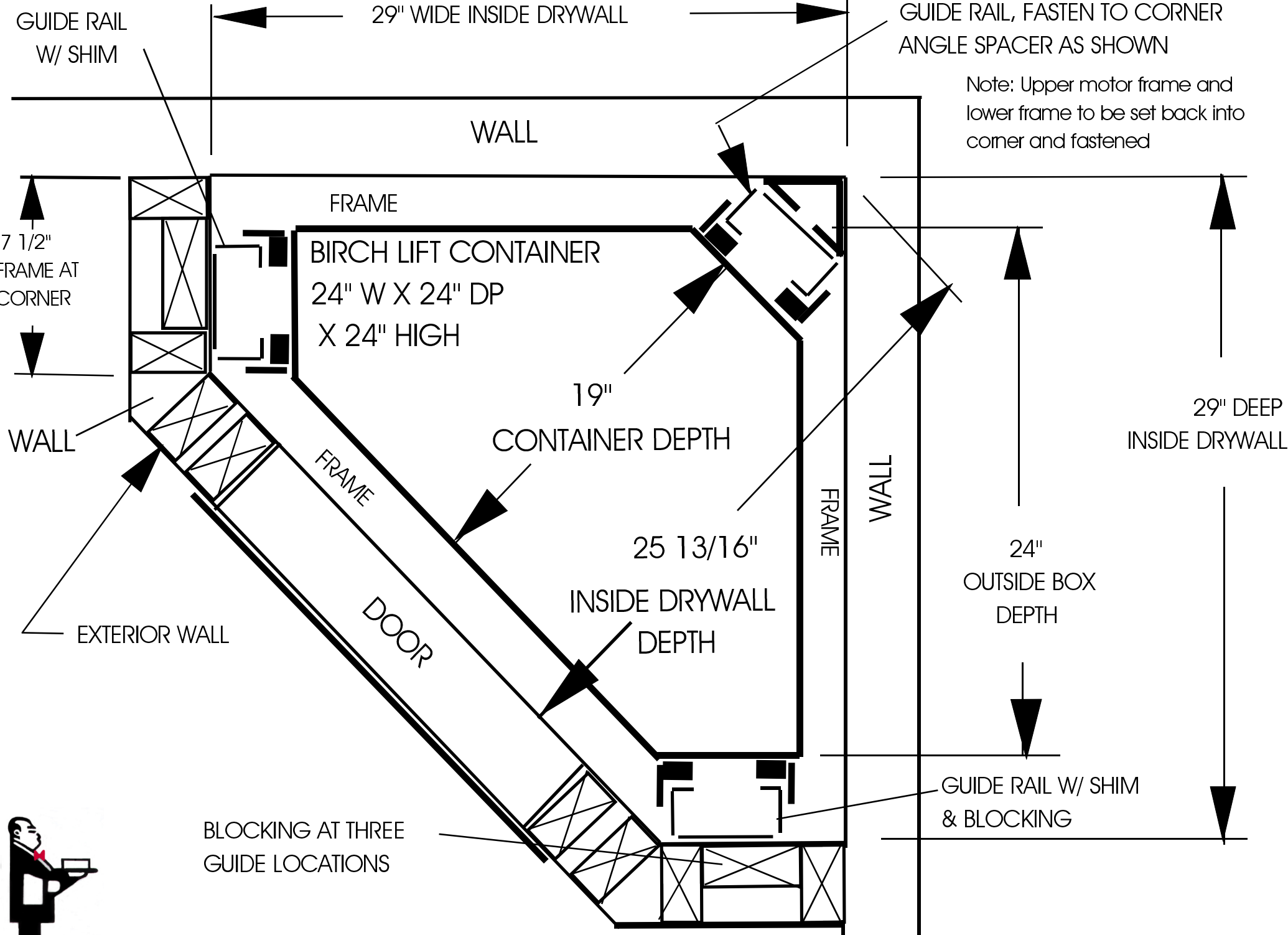


**FLOOR CUT-OUT AND TOWER WALL LAYOUT
TO CONSTRUCT CORNER TOWER
W/ 3 CORNER GUIDES**

LIFT BOX DIM.	INSIDE DRYWALL WIDTH	INSIDE DRYWALL WIDTH
24" X 24"	29"	29"

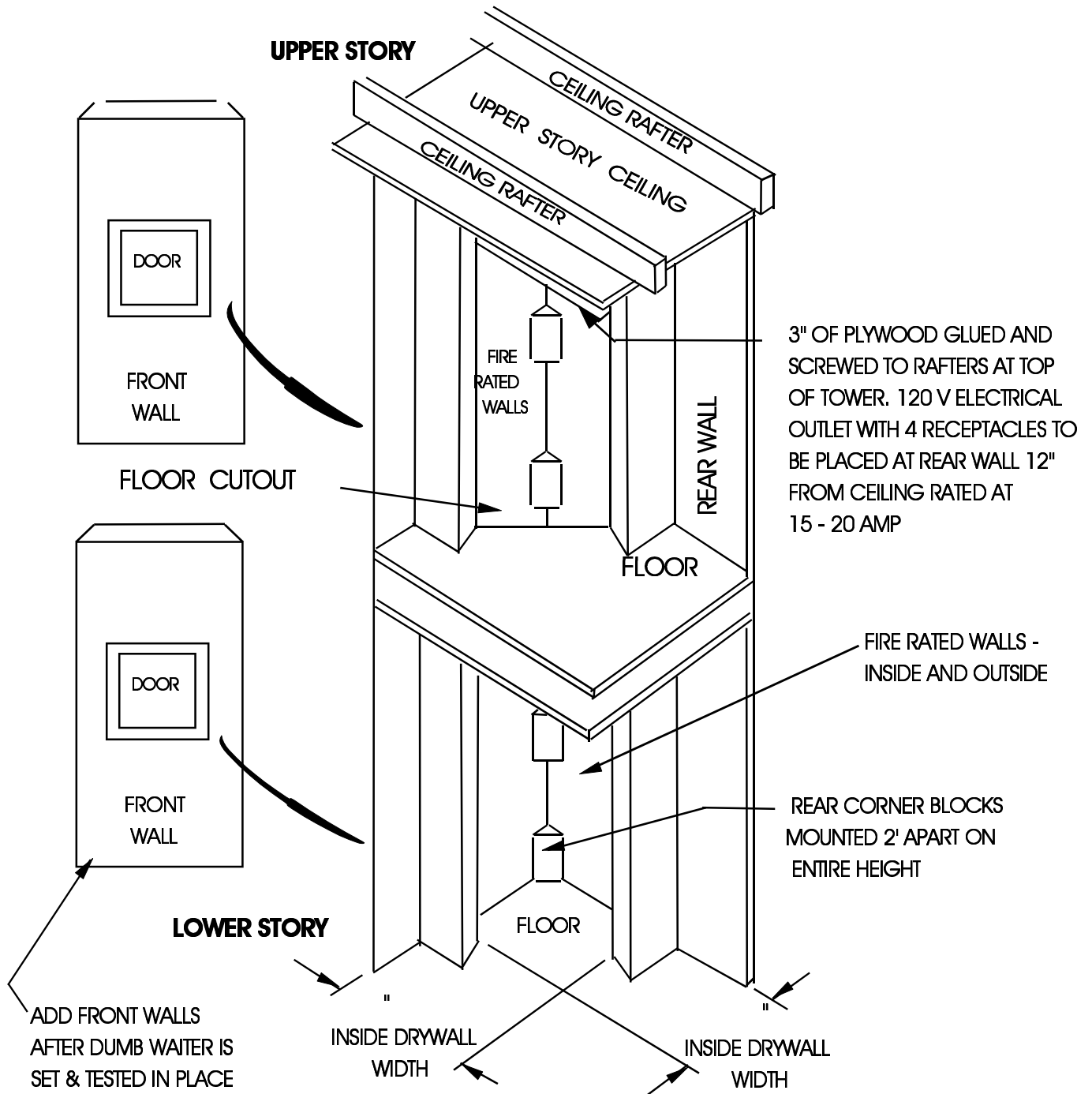
CUSTOMER TO CONSTRUCT CUT-OUT AND WALLS AS SHOWN ABOVE.
INSIDE SHAFTWAY DIMENSIONS SHOWN ARE FINISHED DRY WALL SURFACE.

NOTE: SEE CORNER DUMB WAITER SECTION 24 X 24 FOR WALL DETAILS



CORNER DUMB WAITER - 24 X 24

SITE PREPARATION FOR 30 X 30 CORNER LIFT W/ 3 CORNER GUIDES

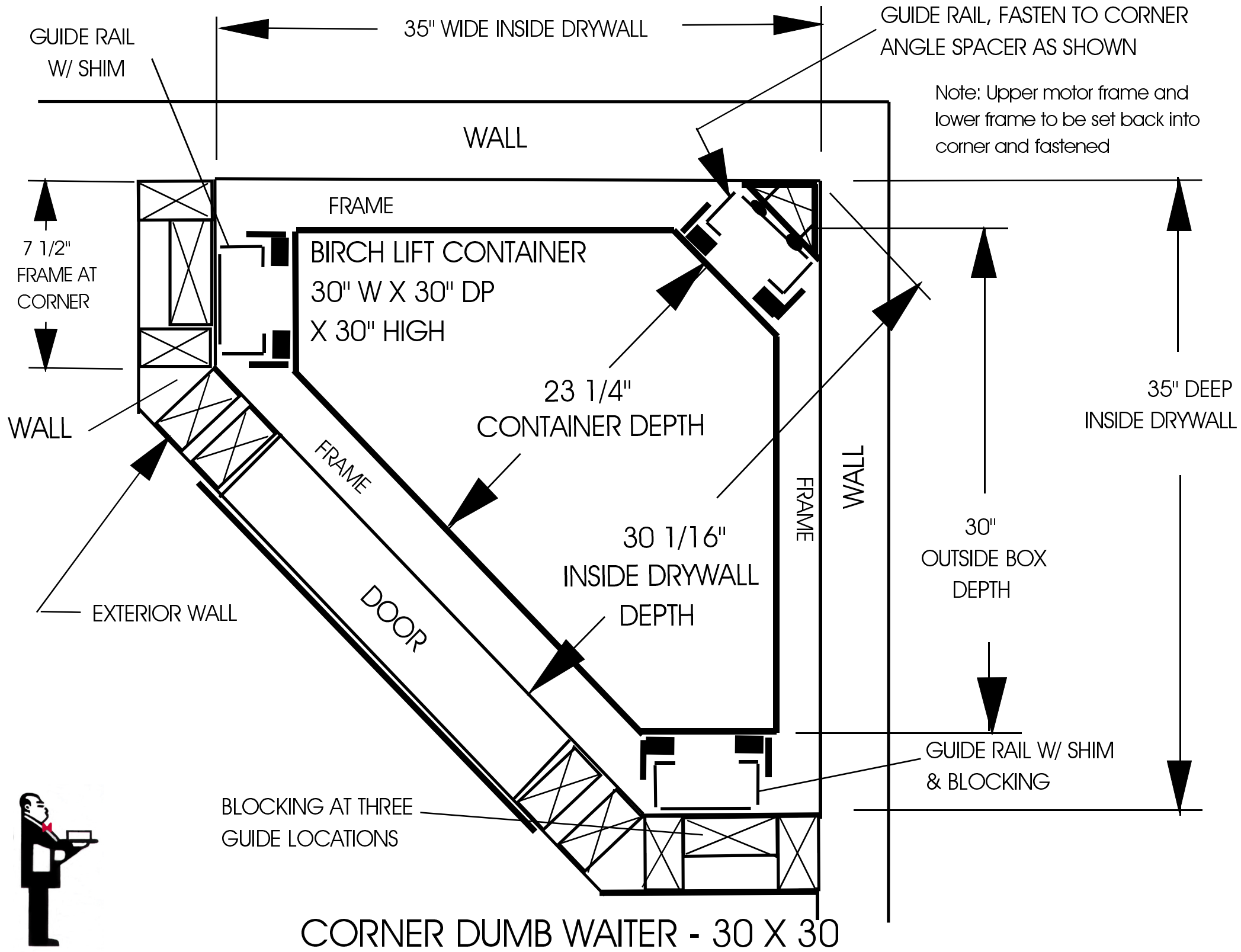


FLOOR CUT-OUT AND TOWER WALL LAYOUT
TO CONSTRUCT CORNER TOWER
W/ 3 CORNER GUIDES

LIFT BOX DIM.	INSIDE DRYWALL WIDTH	INSIDE DRYWALL WIDTH
30" X 30"	35"	35"

CUSTOMER TO CONSTRUCT CUT-OUT AND WALLS AS SHOWN ABOVE.
INSIDE SHAFTWAY DIMENSIONS SHOWN ARE FINISHED DRY WALL SURFACE.

SEE CORNER DUMB WATER SECTION 30 X 30 FOR WALL DETAILS

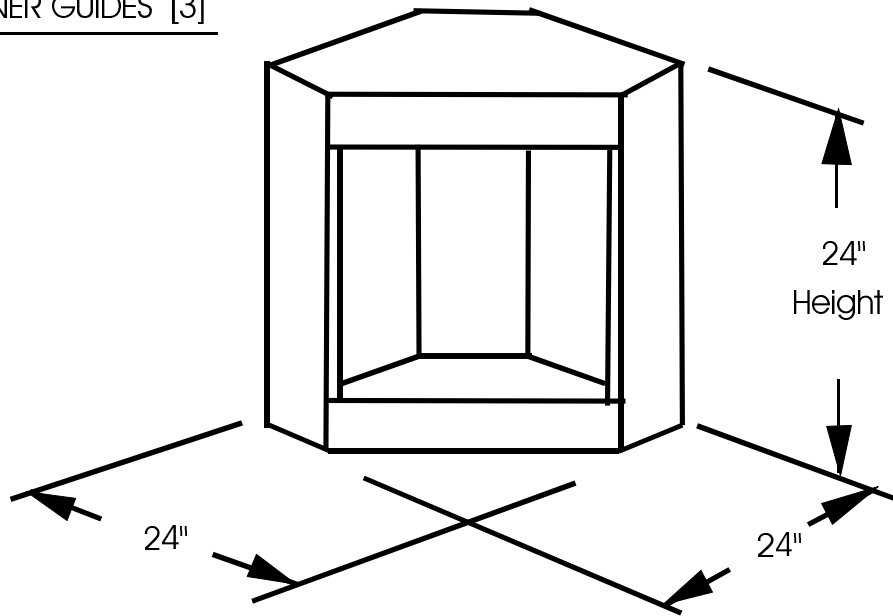


CORNER DUMB WAITER - 30 X 30

BIRCH CORNER DUMB WAITER W/ 3 CORNER GUIDES

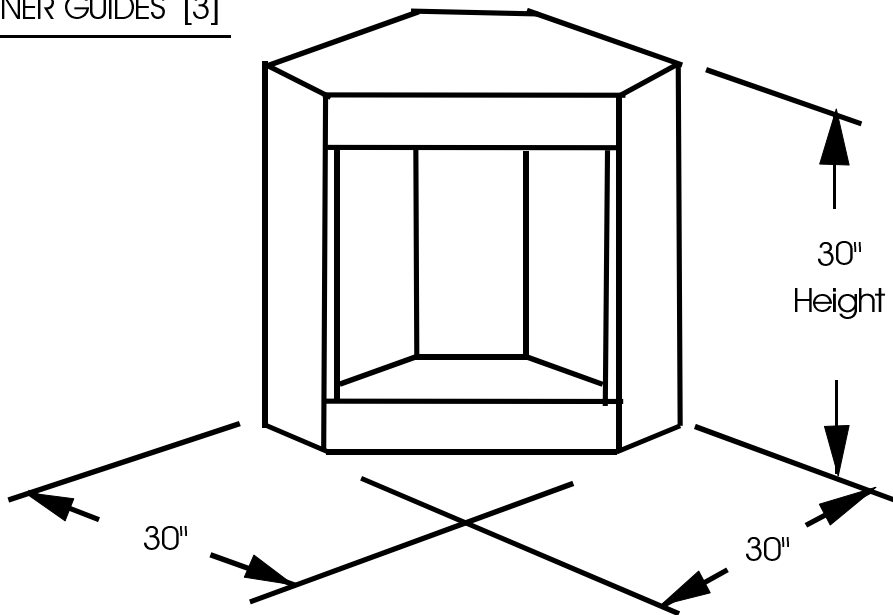
SEE DETAILS SHEETS FOR CONSTRUCTION

CORNER GUIDES [3]



24 X 24 BIRCH CORNER LIFT CONTAINER DETAIL

CORNER GUIDES [3]



30 X 30 BIRCH CORNER LIFT CONTAINER DETAIL

